

New Excess Flow Valve for Autogas Dispensing Systems

3272H

Application

Especially designed for high flow/high differential dispensing systems. Can also be used for filling, liquid withdrawal, and vapor equalizing, in container or line applications.

Features

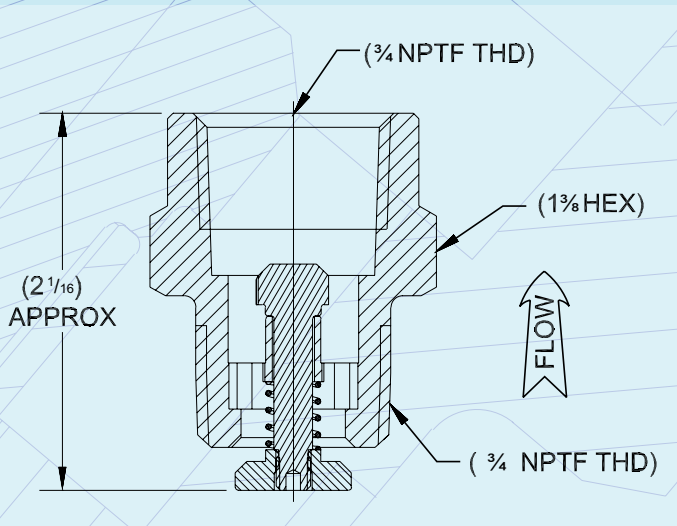
- Solid brass construction
- Stainless steel spring
- Meets UL requirements
- Highest flowing valve in the market

Materials

Body Brass
 Spring Stainless Steel
 Seat Brass



3272H



Ordering Information

| Part Number | Inlet Connection | Outlet Connection | Wrench Hex Flats | Effective Length (Approx.) | Liquid (GPM Propane) |
|-------------|------------------|-------------------|------------------|----------------------------|----------------------|
| 3272H | 3/4" | 3/4" | 1 3/8" | 1 3/8" | 29 |