

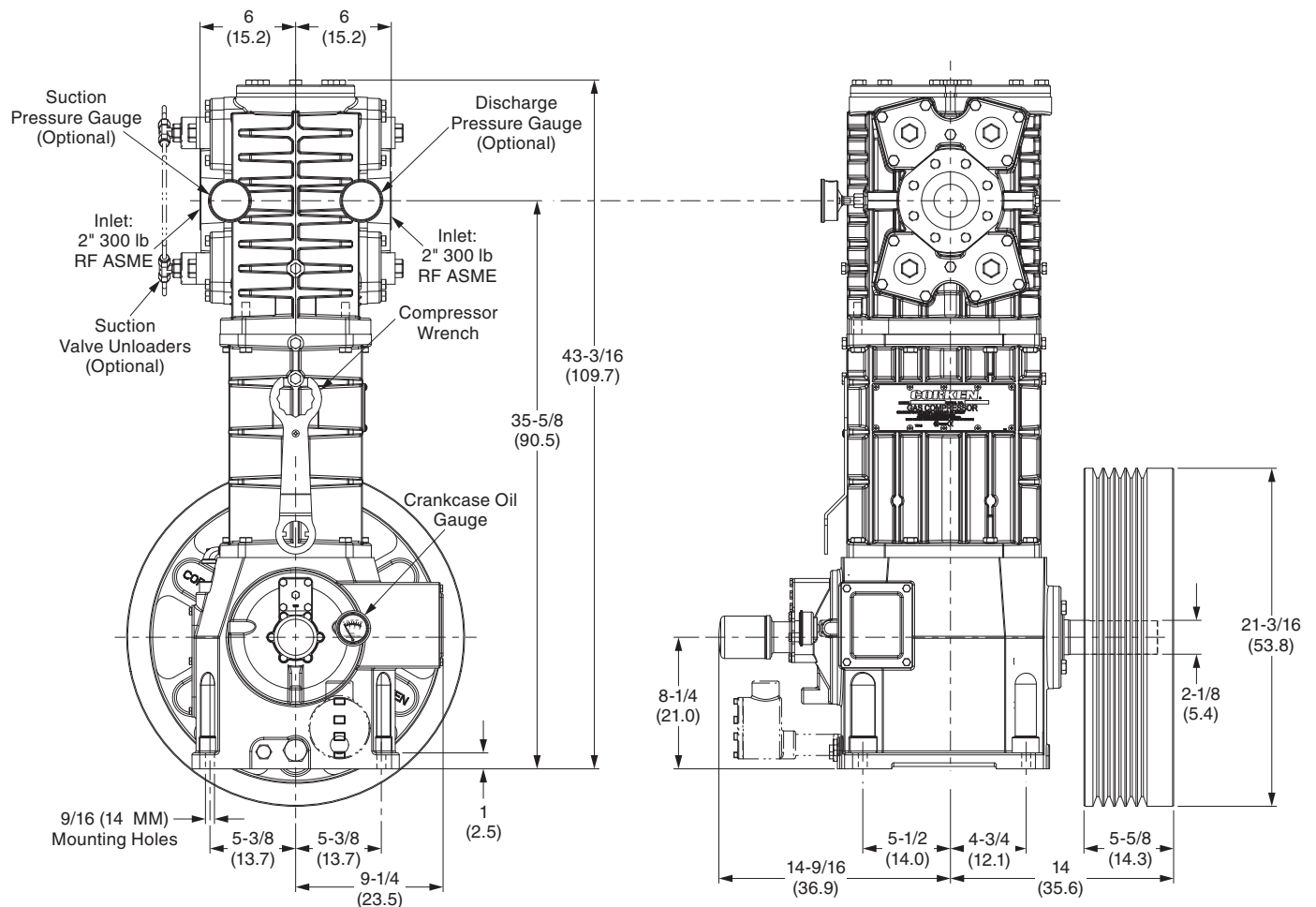
New Flanged 891 Compressor

Corken now offers the model 891 compressor with a two inch, 300 lb., raised faced, ASME flange. The new flange is available in two models: the D-Style FD891 and the T-Style FT891. The "F" in the model number indicates the ASME flanged model.

The existing D891 and T891 weld flange models are available through the end of 2016; however, parts for these models will continue to be available beyond 2016 as long as there is adequate demand.

Listed below are the outline dimensions for the new flanged FD891 and FT891 compressors.

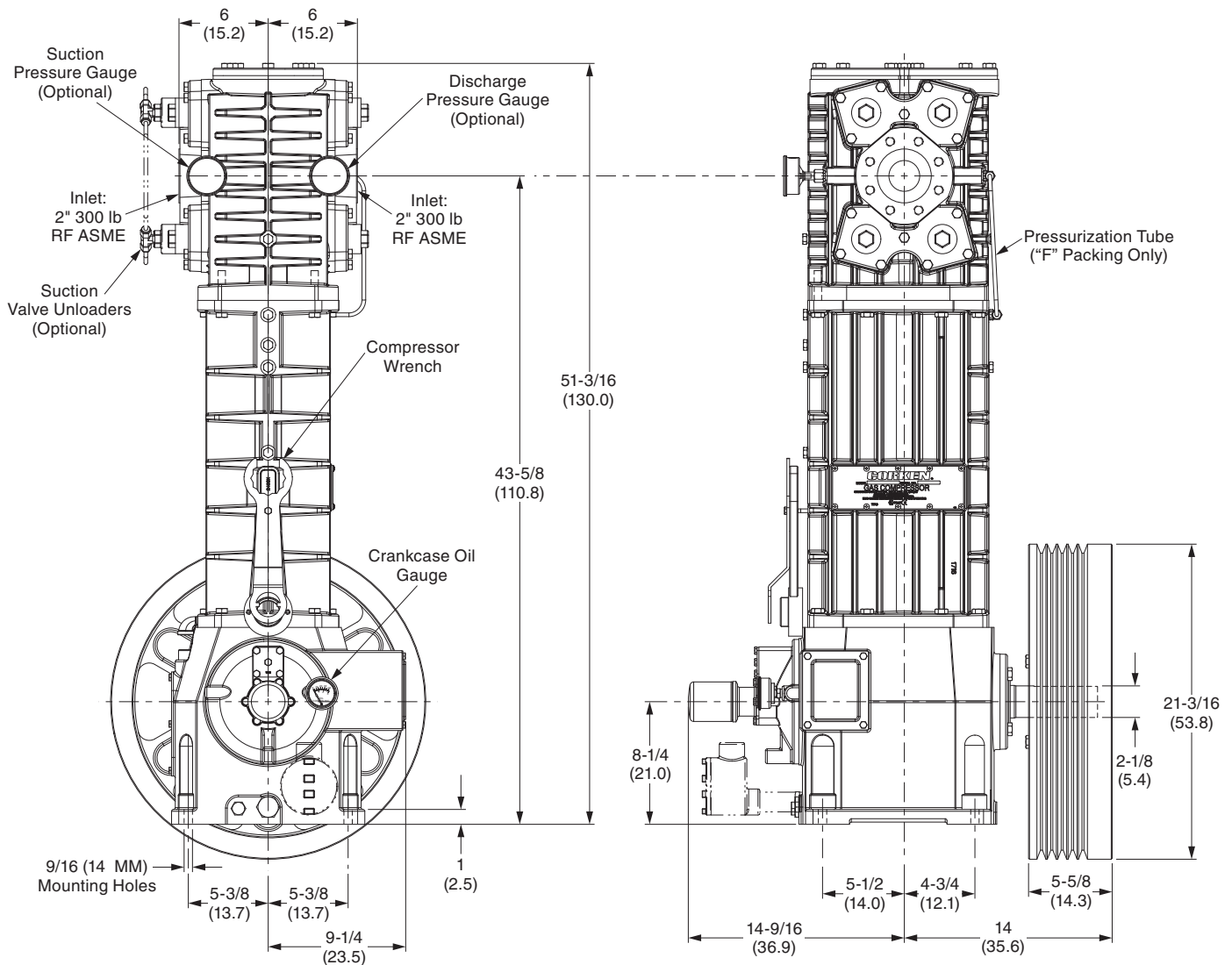
FD891 Outline Dimensions



All dimensions are in inches (centimeters).

FT891 Outline Dimensions On Next Page

FT891 Outline Dimensions



All dimensions are in inches (centimeters).

Solutions beyond products...



CORKEN, INC. • A Unit of IDEX Corporation
 3805 N.W. 36th St., Oklahoma City, OK 73112 U.S.A.
 Phone (405) 946-5576 • FAX (405) 948-7343
 Visit our website at www.corken.com
 E-mail us at cocsalesdept@idexcorp.com



@CorkenInc

